

ALPHA

8470UFD100P62

EAN 4031582346787

Swivel castor, Housing made of Stainless Steel, double ball bearing swivel head, wheel axle with nut, plate fitting. Wheel centre made of Polyamide, Tread: elastic-tyre, non-marking, roller bearing, stainless



BETTER MOBILITY. BETTER LIFE.



Picture may differ from original product

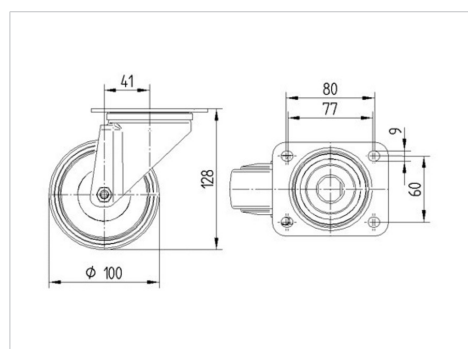
Technical Data

Wheel diameter	100 mm
Wheel width	34 mm
Castor width	75 mm
Size of Plate	105 x 85 mm
Plate hole centres	80/77 x 60 mm
Plate hole	9 mm
Dome-Ø	75 mm
Offset	41 mm
Swivel Interference	182 mm
Overall height	128 mm
Temperature	- 20 / + 80 °C
Standard	EN 12532
Weight	0.769 kg
Swivel Radius	91 mm
Hardness of tread	Shore A 63
Load capacity	160 kg
Load capacity (static)	320 kg

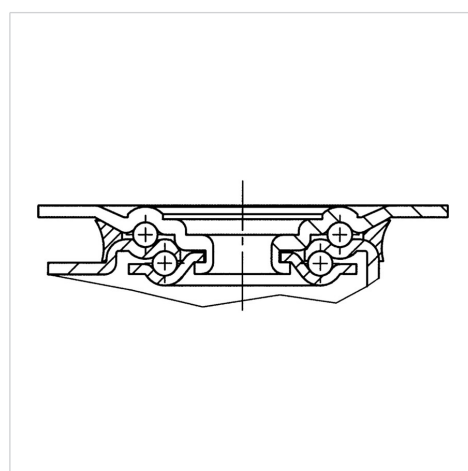
Advantages at a glance

Roll performance	● ● ● ○ ○
Movement noise	● ● ● ● ●
Attrition	● ● ● ○ ○
Corrosion resistance	● ● ● ● ●

Dimensions



Structure & Mounting



ALPHA

8470UFD100P62

EAN 4031582346787



BETTER MOBILITY. BETTER LIFE.

Structure & Mounting

