

# ALPHA

## 3478DPR200P63

EAN 4031582439175

Fixed castor, Fork made of pressed steel, bright zinc plated, blue passivated, wheel axle with nut, plate fitting.  
Wheel centre made of pressed steel, Tread: pneumatic tyre, roller bearing, rip profile



BETTER MOBILITY. BETTER LIFE.

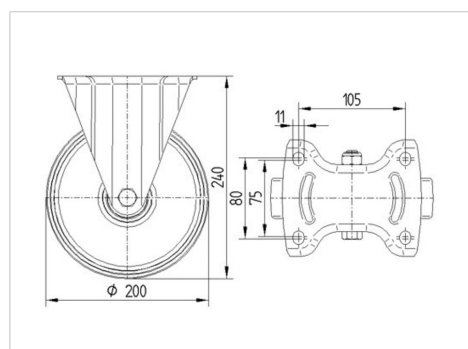


Picture may differ from original product

### Technical Data

Wheel diameter	200 mm
Wheel width	50 mm
Size of Plate	137 x 115 mm
Plate hole centres	105 x 80/75 mm
Plate hole	11 mm
Overall height	240 mm
Weight	1.718 kg
Load capacity	75 kg
Load capacity (static)	150 kg

### Dimensions



### Advantages at a glance

Roll performance	● ○ ○ ○ ○
Movement noise	● ● ● ○ ○
Attrition	● ● ● ○ ○
Corrosion resistance	● ● ● ○ ○

# ALPHA

3478DPR200P63

EAN 4031582439175



BETTER MOBILITY. BETTER LIFE.

## Structure & Mounting

