

# ALPHA

3477DPR200P63

EAN 4031582439182

Swivel castor with total lock, tail end of castor, housing made of pressed steel, bright zinc plated, blue passivated, double ball bearing swivel head, wheel axle with nut, dustguard, plate fitting. Wheel centre made of pressed steel, Tread: pneumatic tyre, roller bearing, rip profile



BETTER MOBILITY. BETTER LIFE.

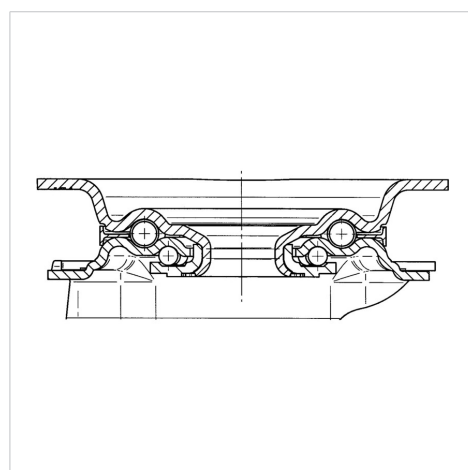


Picture may differ from original product

## Technical Data

Wheel diameter	200 mm
Wheel width	50 mm
Size of Plate	137 x 105 mm
Plate hole centres	105 x 80/75 mm
Plate hole	11 mm
Offset	55 mm
Swivel Interference	310 mm
Overall height	240 mm
Weight	2.135 kg
Swivel Radius	155 mm
Load capacity	75 kg
Load capacity (static)	150 kg

## Structure & Mounting



## Advantages at a glance

Roll performance	● ○ ○ ○ ○
Movement noise	● ● ● ○ ○
Attrition	● ● ● ○ ○
Corrosion resistance	● ● ● ○ ○

# ALPHA

3477DPR200P63

EAN 4031582439182



BETTER MOBILITY. BETTER LIFE.

## Structure & Mounting

