

ELASTECH

UFR200x46-Ø20

EAN 4031582324693

Wheel centre made of Polyamide, Tread: elastic-tyre, non-marking, roller bearing



BETTER MOBILITY. BETTER LIFE.

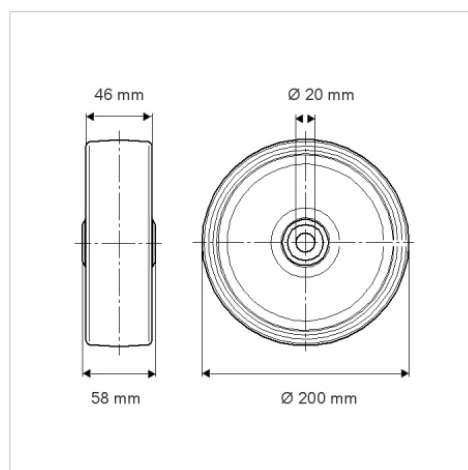


Picture may differ from original product

Technical Data

Wheel diameter	200 mm
Width of Tread	46 mm
Axle Hole-Ø	20 mm
Hub length	58 mm
Temperature	- 20 / + 80 °C
Standard	EN 12532
Weight	1.211 kg
Hardness of tread	Shore A 63
Load capacity	400 kg
Load capacity (static)	800 kg

Dimensions



Advantages at a glance

Roll performance	● ● ● ○ ○
Movement noise	● ● ● ● ●
Attrition	● ● ● ○ ○
Corrosion resistance	● ● ● ○ ○