

MAXTECH

UAR125x32-Ø12 HL44,4 red

EAN 4031582323139

Wheel centre made of Polyamide, Tread: Polyurethane, roller bearing



BETTER MOBILITY. BETTER LIFE.

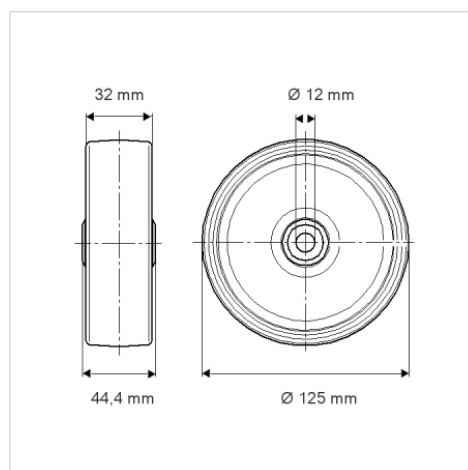


Picture may differ from original product

Technical Data

Wheel diameter	125 mm
Width of Tread	32 mm
Axle Hole-Ø	12 mm
Hub length	44 mm
Temperature	- 25 / + 80 °C
Standard	EN 12532
Weight	0.266 kg
Hardness of tread	Shore D 42
Load capacity	200 kg
Load capacity (static)	400 kg

Dimensions



Advantages at a glance

Roll performance	● ● ● ○ ○
Movement noise	● ● ● ○ ○
Attrition	● ● ● ● ○
Corrosion resistance	● ● ● ○ ○