

# DURATECH

TOP082x91-Ø20 HL93

EAN 4031582322637

Wheel centre made of Polyamide, heavy duty, precision ball bearing  
Load capacities on a smooth, even surface.



BETTER MOBILITY. BETTER LIFE.

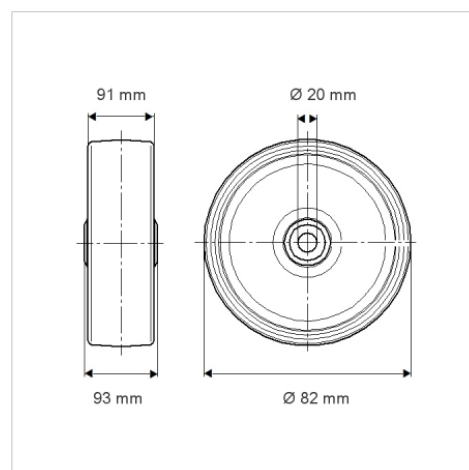


Picture may differ from original product

## Technical Data

Wheel diameter	82 mm
Width of Tread	91 mm
Axle Hole-Ø	20 mm
Hub length	93 mm
Temperature	- 40 / + 80 °C
Standard	EN 12533
Weight	0.566 kg
Hardness of tread	Shore D 75
Bearing type	6204ZV No.
Load capacity	900 kg
Load capacity (static)	1800 kg

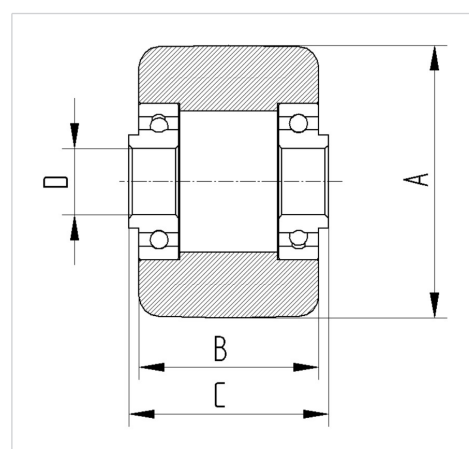
## Dimensions



## Advantages at a glance

Roll performance	● ● ● ● ●
Movement noise	● ● ● ○ ○
Attrition	● ● ● ● ●
Corrosion resistance	● ● ● ○ ○

## Structure & Mounting



# DURATECH

TOP082x91-Ø20 HL93

EAN 4031582322637



BETTER MOBILITY. BETTER LIFE.

## Structure & Mounting

---

