

MAXTECH

PNR260x80-Ø20 HL75 TRG

EAN 4031582404111

Wheel centre made of Polypropylene, Tread: Polyurethane, foamed, roller bearing



BETTER MOBILITY. BETTER LIFE.

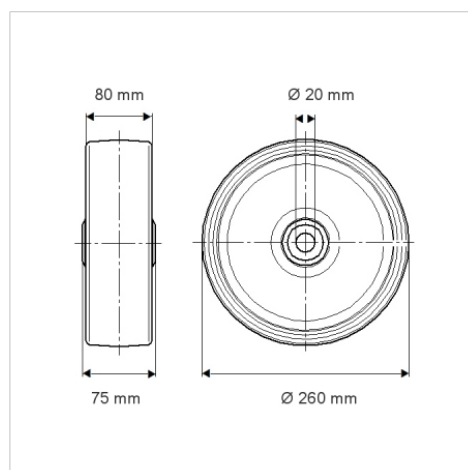


Picture may differ from original product

Technical Data

Wheel diameter	260 mm
Width of Tread	80 mm
Axle Hole-Ø	20 mm
Hub length	75 mm
Temperature	- 20 / + 60 °C
Standard	EN 12532
Weight	1.145 kg
Hardness of tread	Shore A 70
Load capacity	75 kg
Load capacity (static)	150 kg

Dimensions



Advantages at a glance

Roll performance	● ● ● ○ ○
Movement noise	● ● ● ○ ○
Attrition	● ● ● ○ ○
Corrosion resistance	● ● ● ○ ○