

SUPRATECH

PJP100x32-Ø8

EAN 4031582070255

Wheel centre made of Polypropylene, Tread: TENTEprene (thermoplastic rubber), grey non-marking, precision ball bearing, with threadguards



BETTER MOBILITY. BETTER LIFE.

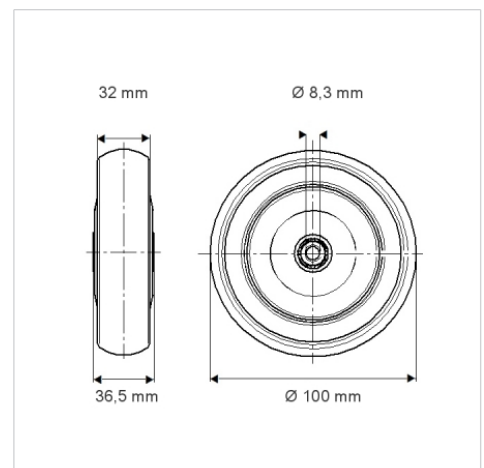


Picture may differ from original product

Technical Data

Wheel diameter	100 mm
Width of Tread	32 mm
Axle Hole-Ø	8.3 mm
Hub length	36.5 mm
Temperature	- 20 / + 60 °C
Standard	EN 12530
Weight	0.194 kg
Hardness of tread	Shore A 87
Load capacity	100 kg
Load capacity (static)	200 kg

Dimensions



Advantages at a glance

Roll performance	● ● ● ○ ○
Movement noise	● ● ● ○ ○
Attrition	● ● ● ○ ○
Corrosion resistance	● ● ● ○ ○