

NOVATECH

ITP100x40-Ø8 HL45 incl. axle accessory

EAN 4031582070293

Wheel centre made of Aluminium, Tread: Polyurethane, casted, precision ball bearing



BETTER MOBILITY. BETTER LIFE.

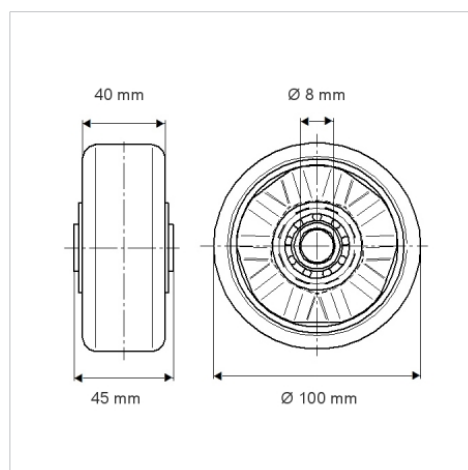


Picture may differ from original product

Technical Data

Wheel diameter	100 mm
Width of Tread	40 mm
Axle Hole-Ø	8 mm
Hub length	45 mm
Temperature	- 20 / + 60 °C
Standard	EN 12532
Weight	0.502 kg
Hardness of tread	Shore D 42
Load capacity	300 kg
Load capacity (static)	600 kg

Dimensions



Advantages at a glance

Roll performance	● ● ● ○ ○
Movement noise	● ● ● ○ ○
Attrition	● ● ● ● ○
Corrosion resistance	● ● ● ○ ○