

ELASTECH HEAT

IDG100x35-Ø8

EAN 4031582347203

Wheel centre made of Aluminium, Tread: heat resisting silicone rubber, damping, self-lubricating bushing



BETTER MOBILITY. BETTER LIFE.

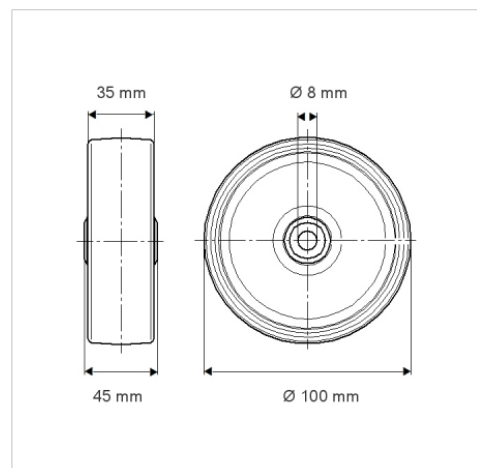


Picture may differ from original product

Technical Data

Wheel diameter	100 mm
Width of Tread	35 mm
Axle Hole-Ø	8 mm
Hub length	45.5 mm
Temperature	- 30 / + 250 °C
Standard	EN 12532
Weight	0.354 kg
Hardness of tread	Shore A 75
Load capacity	80 kg
Load capacity (static)	160 kg

Dimensions



Advantages at a glance

Roll performance	● ● ● ○ ○
Movement noise	● ● ● ○ ○
Attrition	● ● ● ○ ○
Corrosion resistance	● ● ● ● ●