

PURETECH

DVR200x50-Ø20

EAN 4031582070088

Wheel centre made of pressed steel, Tread: solid rubber, black, roller bearing



BETTER MOBILITY. BETTER LIFE.

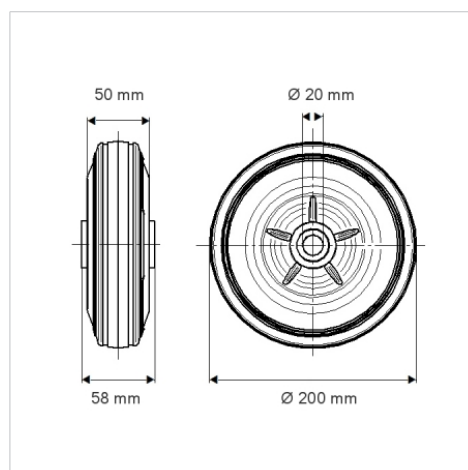


Picture may differ from original product

Technical Data

| | |
|------------------------|----------------|
| Wheel diameter | 200 mm |
| Width of Tread | 50 mm |
| Axle Hole-Ø | 20 mm |
| Hub length | 58 mm |
| Temperature | - 20 / + 85 °C |
| Standard | EN 12532 |
| Weight | 1.47 kg |
| Hardness of tread | Shore A 80 |
| Load capacity | 205 kg |
| Load capacity (static) | 410 kg |

Dimensions



Advantages at a glance

| | |
|----------------------|-----------|
| Roll performance | ● ● ● ○ ○ |
| Movement noise | ● ● ● ○ ○ |
| Attrition | ● ● ○ ○ ○ |
| Corrosion resistance | ● ● ● ○ ○ |