

PURETECH

DVR125x37-Ø12

EAN 4031582070064

Wheel centre made of pressed steel, Tread: solid rubber, black, roller bearing



BETTER MOBILITY. BETTER LIFE.

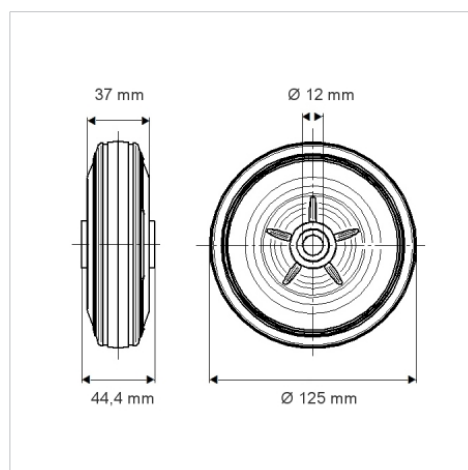


Picture may differ from original product

Technical Data

Wheel diameter	125 mm
Width of Tread	37 mm
Axle Hole-Ø	12 mm
Hub length	44.4 mm
Temperature	- 20 / + 85 °C
Standard	EN 12532
Weight	0.577 kg
Hardness of tread	Shore A 80
Load capacity	100 kg
Load capacity (static)	200 kg

Dimensions



Advantages at a glance

Roll performance	● ● ● ○ ○
Movement noise	● ● ● ○ ○
Attrition	● ● ○ ○ ○
Corrosion resistance	● ● ● ○ ○