

DURATECH HEAT

BOG080x35-Ø8

EAN 4031582317695

Wheel made of heat resisting synthetic material, self-lubricating bushing



BETTER MOBILITY. BETTER LIFE.

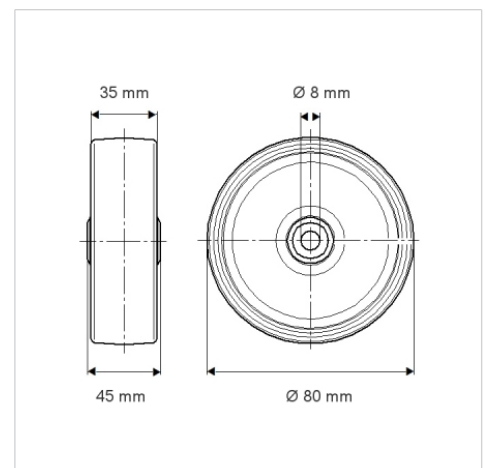


Picture may differ from original product

Technical Data

Wheel diameter	80 mm
Width of Tread	35 mm
Axle Hole-Ø	8 mm
Hub length	45.5 mm
Temperature	- 40 / + 280 °C
Standard	EN 12532
Weight	0.209 kg
Hardness of tread	Shore D 90
Load capacity	100 kg
Load capacity (static)	200 kg

Dimensions



Advantages at a glance

Roll performance	● ● ● ○ ○
Movement noise	● ● ● ○ ○
Attrition	● ● ● ● ●
Corrosion resistance	● ● ● ● ●