

LINEA

5920UAP050L51-10 LOAD 9002

EAN 4031582411270

Swivel castor, housing made of Polyamide, with blind hole fitting. Wheel centre made of Polyamide, Tread: Polyurethane, precision ball bearing



BETTER MOBILITY. BETTER LIFE.



Picture may differ from original product

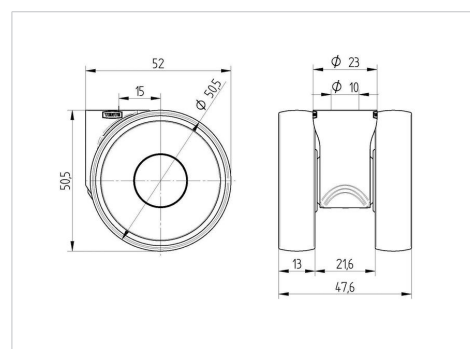
Technical Data

Wheel diameter	50 mm
Width of Tread	12 mm
Castor width	47 mm
Centre hole	10 mm
Dome-Ø	23 mm
Offset	15 mm
Swivel Interference	92.6 mm
Overall height	50.5 mm
Temperature	- 20 / + 60 °C
Standard	EN 12530
Weight	0.087 kg
Swivel Radius	46.3 mm
Hardness of tread	Shore A 92
Load capacity	100 kg
Load capacity (static)	200 kg

Advantages at a glance

Roll performance	● ● ● ● ●
Movement noise	● ● ● ● ○
Attrition	● ● ● ● ●
Corrosion resistance	● ● ● ● ○

Dimensions



Structure & Mounting

