

ZETA

4680ITP200P63 Flat

EAN 4031582010640

Swivel castor, housing made of very heavy pressed steel, reinforced, bright zinc plated, blue passivated, sealed swivel double ball bearing, reinforced and heat-treated ball covers, riveted king pin, dust ring with integrated grease nipple, wheel axle with nut, plate fitting. Wheel centre made of Aluminium, Tread: Polyurethane, casted, precision ball bearing



BETTER MOBILITY. BETTER LIFE.



Picture may differ from original product

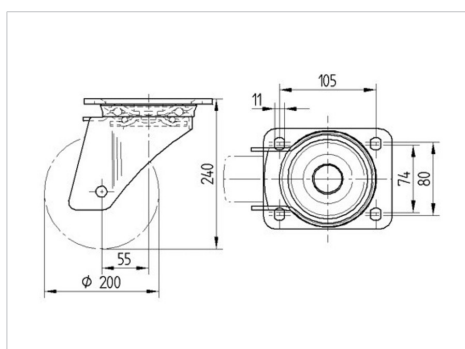
Technical Data

| | |
|------------------------|----------------|
| Wheel diameter | 200 mm |
| Width of Tread | 50 mm |
| Castor width | 96 mm |
| Size of Plate | 137 x 105 mm |
| Plate hole centres | 105 x 80/75 mm |
| Plate hole | 11 mm |
| Dome-Ø | 96 mm |
| Offset | 55 mm |
| Swivel Interference | 310 mm |
| Overall height | 240 mm |
| Temperature | - 20 / + 60 °C |
| Standard | EN 12532 |
| Weight | 3.554 kg |
| Swivel Radius | 155 mm |
| Hardness of tread | Shore D 42 |
| Load capacity | 800 kg |
| Load capacity (static) | 1600 kg |

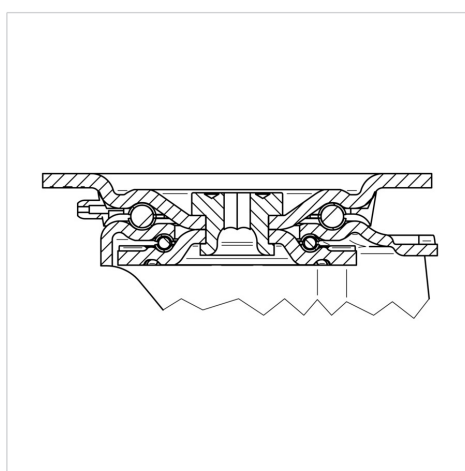
Advantages at a glance

| | |
|----------------------|-----------|
| Roll performance | ● ● ● ○ ○ |
| Movement noise | ● ● ● ○ ○ |
| Attrition | ● ● ● ● ○ |
| Corrosion resistance | ● ● ● ○ ○ |

Dimensions



Structure & Mounting



ZETA

4680ITP200P63 Flat

EAN 4031582010640



BETTER MOBILITY. BETTER LIFE.

Structure & Mounting

