

# DELTA

3640IEP160P63

EAN 4031582337150

Swivel castor, housing made of heavy pressed steel, bright zinc plated, blue passivated, precision ball bearing swivel head, sealed, wheel axle with nut, plate fitting. Wheel centre made of Aluminium, Tread: black elastic-tyre, vulcanized, precision ball bearing



BETTER MOBILITY. BETTER LIFE.



Picture may differ from original product

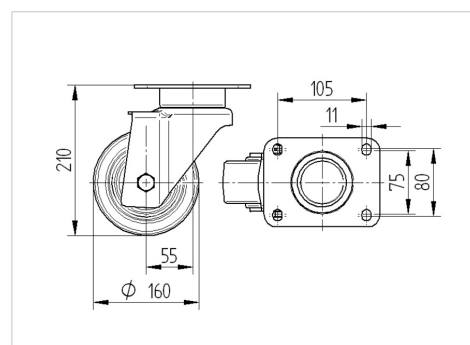
## Technical Data

Wheel diameter	160 mm
Width of Tread	50 mm
Castor width	94 mm
Size of Plate	137 x 105 mm
Plate hole centres	105 x 80/75 mm
Plate hole	11 mm
Dome-Ø	94 mm
Offset	55 mm
Swivel Interference	270 mm
Overall height	210 mm
Temperature	- 20 / + 85 °C
Standard	EN 12532
Weight	3.313 kg
Swivel Radius	135 mm
Hardness of tread	Shore A 68
Load capacity	350 kg
Load capacity (static)	700 kg

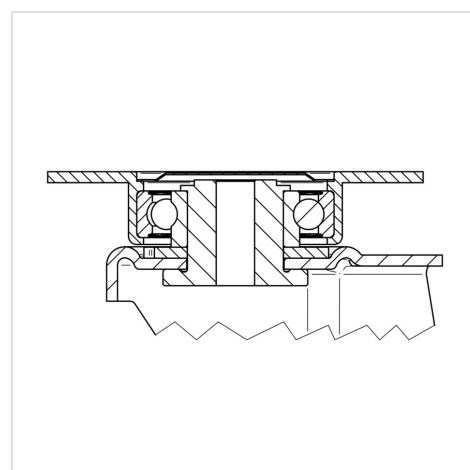
## Advantages at a glance

Roll performance	● ● ● ○ ○
Movement noise	● ● ● ○ ○
Attrition	● ● ● ○ ○
Corrosion resistance	● ● ● ○ ○

## Dimensions



## Structure & Mounting



# DELTA

3640IEP160P63

EAN 4031582337150



BETTER MOBILITY. BETTER LIFE.

## Structure & Mounting

