

ALPHA

3478UOR160P63

EAN 4031582307108

Fixed castor, Fork made of pressed steel, bright zinc plated, blue passivated, wheel axle with nut, plate fitting.

Wheel centre made of Polyamide, roller bearing



BETTER MOBILITY. BETTER LIFE.

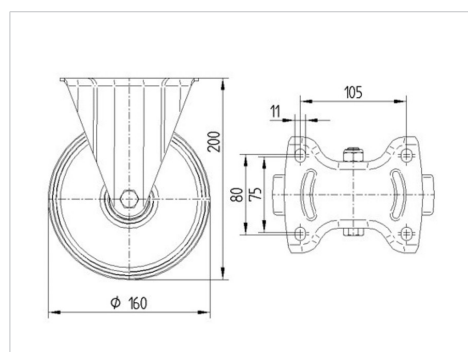


Picture may differ from original product

Technical Data

Wheel diameter	160 mm
Width of Tread	40 mm
Castor width	115 mm
Size of Plate	137 x 115 mm
Plate hole centres	105 x 80/75 mm
Plate hole	11 mm
Overall height	200 mm
Temperature	- 25 / + 80 °C
Standard	EN 12532
Weight	1.35 kg
Hardness of tread	Shore D 75
Load capacity	350 kg
Load capacity (static)	700 kg

Dimensions



Advantages at a glance

Roll performance	● ● ● ○ ○
Movement noise	● ● ● ○ ○
Attrition	● ● ● ● ●
Corrosion resistance	● ● ● ○ ○

ALPHA

3478UOR160P63

EAN 4031582307108



BETTER MOBILITY. BETTER LIFE.

Structure & Mounting

