

# ALPHA

3478PIR200P63

EAN 4031582306521

Fixed castor, Fork made of pressed steel, bright zinc plated, blue passivated, wheel axle with nut, plate fitting.  
Wheel centre made of Polypropylene, Tread: solid rubber, grey non-marking, roller bearing



BETTER MOBILITY. BETTER LIFE.

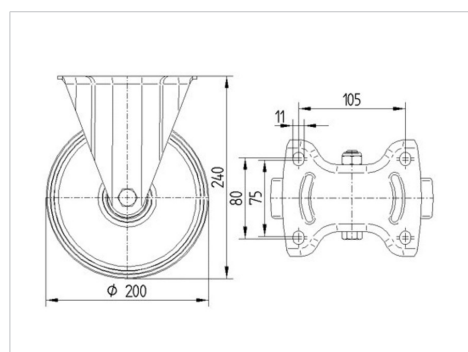


Picture may differ from original product

## Technical Data

Wheel diameter	200 mm
Width of Tread	50 mm
Castor width	115 mm
Size of Plate	140 x 115 mm
Plate hole centres	105 x 80/75 mm
Plate hole	11 mm
Overall height	240 mm
Temperature	- 20 / + 60 °C
Standard	EN 12532
Weight	2.459 kg
Hardness of tread	Shore A 80
Load capacity	205 kg
Load capacity (static)	410 kg

## Dimensions



## Advantages at a glance

Roll performance	● ● ● ○ ○
Movement noise	● ● ● ○ ○
Attrition	● ● ● ○ ○
Corrosion resistance	● ● ● ○ ○

# ALPHA

3478PIR200P63

EAN 4031582306521



BETTER MOBILITY. BETTER LIFE.

## Structure & Mounting

