

ALPHA

3470U00080P62

EAN 4031582010190

Swivel castor, housing made of pressed steel, bright zinc plated, blue passivated, double ball bearing swivel head, wheel axle with nut, dustguard, plate fitting. Wheel centre made of Polyamide, plain bearing



BETTER MOBILITY. BETTER LIFE.

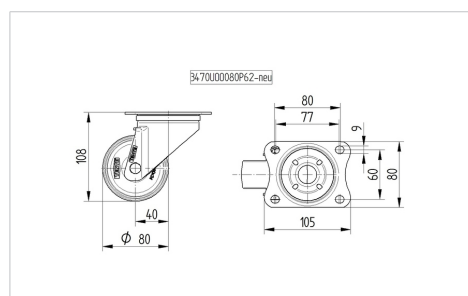


Picture may differ from original product

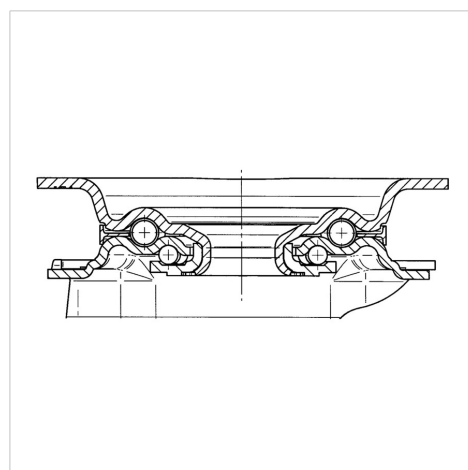
Technical Data

Wheel diameter	80 mm
Width of Tread	34 mm
Castor width	75 mm
Size of Plate	105 x 80 mm
Plate hole centres	80/77 x 60 mm
Plate hole	9 mm
Dome-Ø	75 mm
Offset	40 mm
Swivel Interference	160 mm
Overall height	108 mm
Temperature	- 25 / + 80 °C
Standard	EN 12532
Weight	0.577 kg
Swivel Radius	80 mm
Hardness of tread	Shore D 75
Load capacity	200 kg
Load capacity (static)	400 kg

Dimensions



Structure & Mounting



Advantages at a glance

Roll performance	● ● ● ○ ○
Movement noise	● ● ● ○ ○
Attrition	● ● ● ● ●
Corrosion resistance	● ● ● ○ ○

ALPHA

3470U00080P62

EAN 4031582010190



BETTER MOBILITY. BETTER LIFE.

Structure & Mounting

