

ALPHA

3377DVR100P62

EAN 4031582331578

Swivel castor with total lock, tail end of castor, housing made of pressed steel, bright zinc plated, blue passivated, double ball bearing swivel head, wheel axle with nut, plate fitting. Wheel centre made of pressed steel, Tread: solid rubber, black, roller bearing



BETTER MOBILITY. BETTER LIFE.

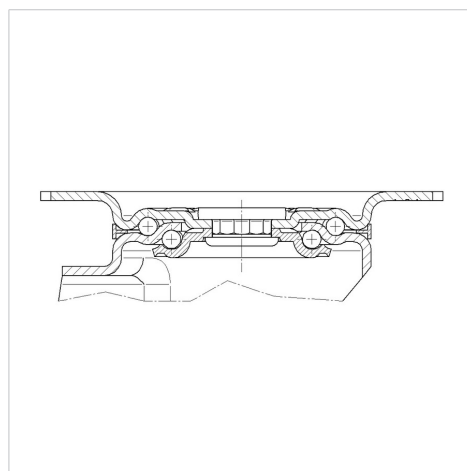


Picture may differ from original product

Technical Data

Wheel diameter	100 mm
Width of Tread	20 mm
Size of Plate	105 x 85 mm
Plate hole centres	80/77 x 60 mm
Plate hole	9 mm
Offset	41 mm
Swivel Interference	233 mm
Overall height	128 mm
Temperature	- 20 / + 60 °C
Standard	EN 12532
Weight	0.811 kg
Swivel Radius	116.5 mm
Hardness of tread	Shore A 85
Load capacity	70 kg
Load capacity (static)	140 kg

Structure & Mounting



Advantages at a glance

Roll performance	● ● ● ○ ○
Movement noise	● ● ● ○ ○
Attrition	● ● ● ○ ○
Corrosion resistance	● ● ● ○ ○

ALPHA

3377DVR100P62

EAN 4031582331578



BETTER MOBILITY. BETTER LIFE.

Structure & Mounting

