

ALPHA

3370DVR160P63

EAN 4031582331608

Swivel castor, housing made of pressed steel, bright zinc plated, blue passivated, double ball bearing swivel head, wheel axle with nut, plate fitting. Wheel centre made of pressed steel, Tread: solid rubber, black, roller bearing



BETTER MOBILITY. BETTER LIFE.

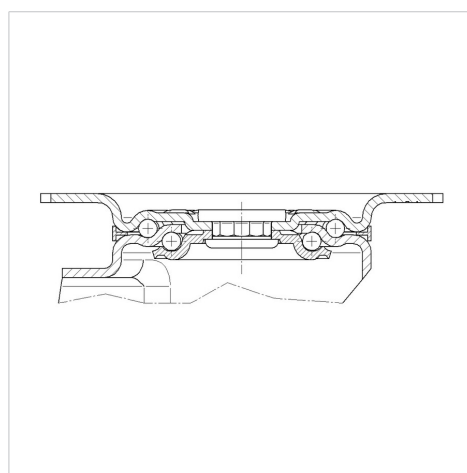


Picture may differ from original product

Technical Data

Wheel diameter	160 mm
Width of Tread	23 mm
Size of Plate	137 x 105 mm
Plate hole centres	105 x 80/77 mm
Plate hole	11 mm
Offset	57.5 mm
Swivel Interference	275 mm
Overall height	200 mm
Temperature	- 20 / + 60 °C
Standard	EN 12532
Weight	2.29 kg
Swivel Radius	137.5 mm
Hardness of tread	Shore A 87
Load capacity	135 kg
Load capacity (static)	270 kg

Structure & Mounting



Advantages at a glance

Roll performance	● ● ● ○ ○
Movement noise	● ● ● ○ ○
Attrition	● ● ● ○ ○
Corrosion resistance	● ● ● ○ ○

ALPHA

3370DVR160P63

EAN 4031582331608



BETTER MOBILITY. BETTER LIFE.

Structure & Mounting

