

AGILA TWIN

2975PJO050P40

EAN 4031582302813

Swivel castor with wheel brake, housing made of pressed steel, bright zinc plated, blue passivated, double ball bearing swivel head, wheel axle with nut, plate fitting. Wheel centre made of Polypropylene, Tread: TENTEprene (thermoplastic rubber), grey non-marking, plain bearing



BETTER MOBILITY. BETTER LIFE.



Picture may differ from original product

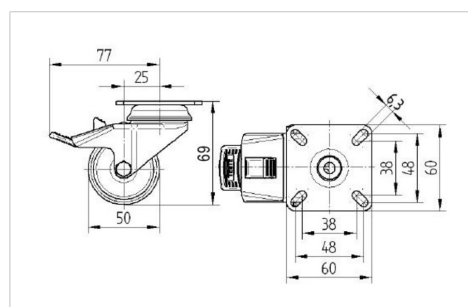
Technical Data

Wheel diameter	50 mm
Width of Tread	19 mm
Castor width	57 mm
Size of Plate	60 x 60 mm
Plate hole centres	48/38 x 48/38 mm
Plate hole	6,3 mm
Dome-Ø	53 mm
Offset	25 mm
Swivel Interference	155 mm
Overall height	69 mm
Temperature	- 20 / + 60 °C
Standard	EN 12530
Weight	0.275 kg
Swivel Radius	77 mm
Hardness of tread	Shore A 87
Load capacity	75 kg
Load capacity (static)	150 kg

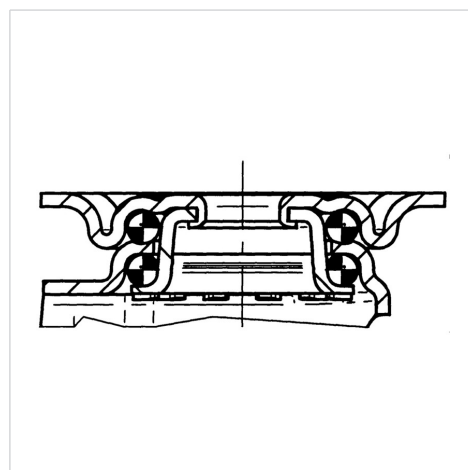
Advantages at a glance

Roll performance	● ● ● ○ ○
Movement noise	● ● ● ○ ○
Attrition	● ● ● ○ ○
Corrosion resistance	● ● ● ○ ○

Dimensions



Structure & Mounting



AGILA TWIN

2975PJO050P40

EAN 4031582302813



BETTER MOBILITY. BETTER LIFE.

Structure & Mounting

