

AGILA

1470PAO050P40

EAN 4031582335347

Swivel castor, housing made of pressed steel, bright zinc plated, blue passivated, double ball bearing swivel head, plate fitting. Wheel centre made of Polypropylene, Tread: Polyurethane, plain bearing



BETTER MOBILITY. BETTER LIFE.

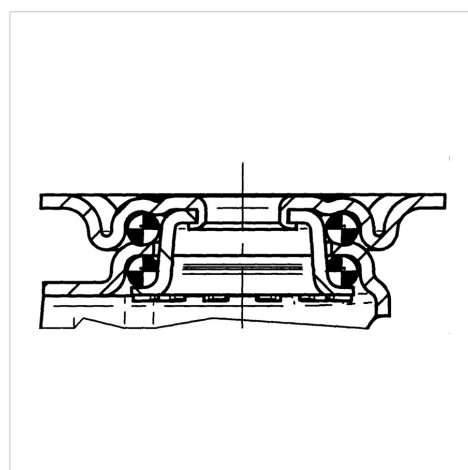


Picture may differ from original product

Technical Data

| | |
|------------------------|------------------|
| Wheel diameter | 50 mm |
| Width of Tread | 19 mm |
| Castor width | 44 mm |
| Size of Plate | 60 x 60 mm |
| Plate hole centres | 48/38 x 48/38 mm |
| Plate hole | 6,3 mm |
| Dome-Ø | 41 mm |
| Offset | 25 mm |
| Swivel Interference | 100 mm |
| Overall height | 70 mm |
| Temperature | - 20 / + 60 °C |
| Standard | EN 12530 |
| Weight | 0.18 kg |
| Swivel Radius | 50 mm |
| Hardness of tread | Shore D 40 |
| Load capacity | 40 kg |
| Load capacity (static) | 80 kg |

Structure & Mounting



Advantages at a glance

| | |
|----------------------|-----------|
| Roll performance | ● ● ● ○ ○ |
| Movement noise | ● ● ● ○ ○ |
| Attrition | ● ● ● ● ○ |
| Corrosion resistance | ● ● ● ○ ○ |

AGILA

1470PAO050P40

EAN 4031582335347



BETTER MOBILITY. BETTER LIFE.

Structure & Mounting

